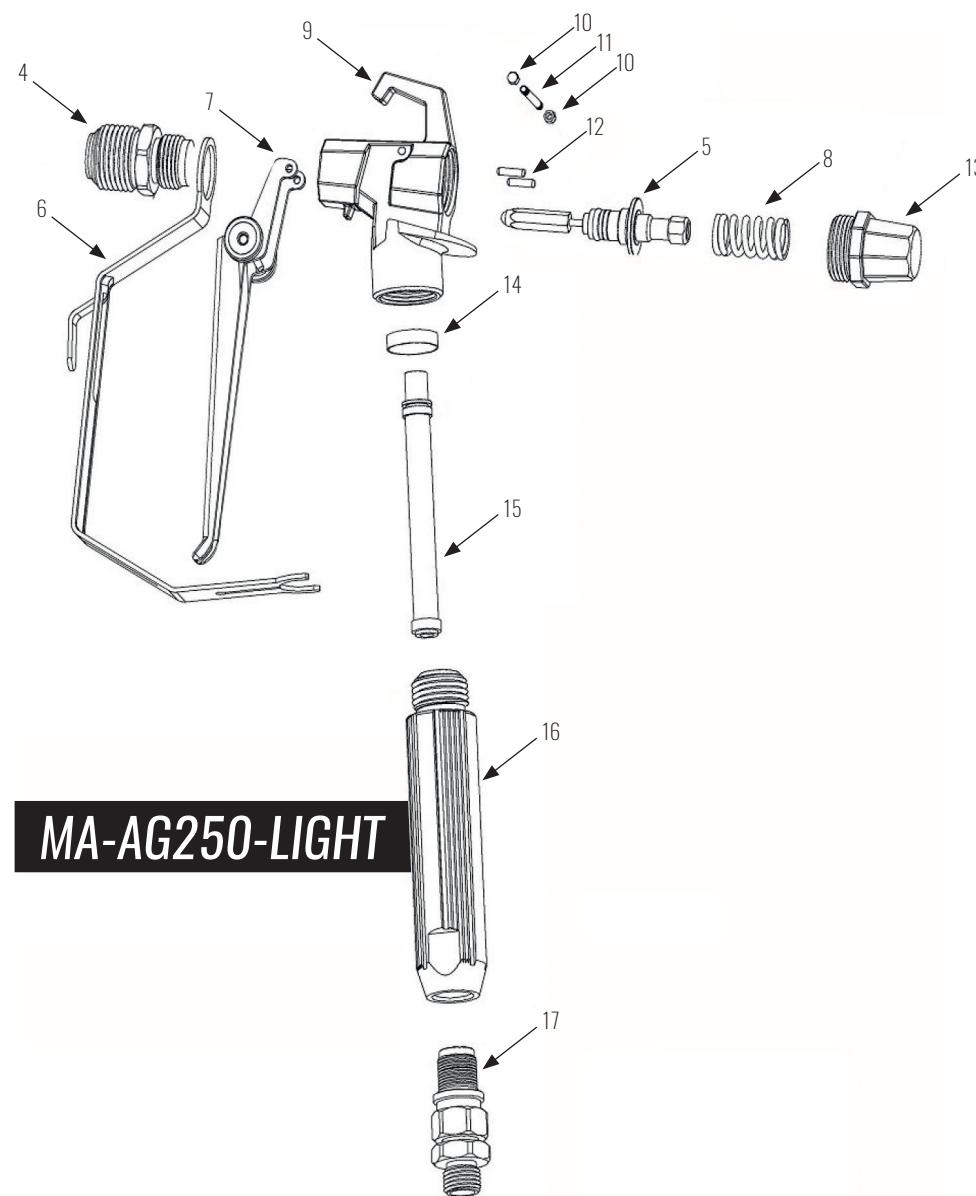




250 BAR HIGH PRESSURE AIRLESS SPRAY GUN

> 5 mm TC-ball > 250 bar > 7/8" diffusor > 1/4" swivel

Pos.	Art. No.	Description	Pieces
1	MT-U-xxx	Reversible Tip	1
2	MT-U-BASE-xx	Tip guard	1
3	MT-U-SEAL	Seal	1
4	MA-AG250-L#4	Diffuser/Seat 7/8"	1
5	MA-AG250-L#5	Gun Needle	1
6	MA-AG250-L#6	Trigger Guard	1
7	MA-AG250-L#7	Trigger Assembly	1
8	MA-AG250-L#8	Spring	1
9	MA-AG250-L#9	Gun Body	1
10	MA-AG250-L#10	Nut	2
11	MA-AG250-L#11	Trigger Shaft	1
12	MA-AG250-L#12	Retractor Pin	2
13	MA-AG250-L#13	Rear Cap	1
14	MA-AG250-L#14	Handle Seal	1
15	HSxxxxx	Gun Filter	1
16	MA-AG250-L#16	Handle	1
17	MA-AG250-L#17	Swivel 1/4"	1



MA-AG250-LIGHT

Safety Precautions



Be safety-conscious! All local and national regulations governing ventilation, fire prevention, and operation must be observed.



HAZARD: Injection injury
A high pressure stream produced by this equipment can pierce the skin and underlying tissues, leading to serious injury and possible amputation. See a physician immediately.

DO NOT TREAT AN INJECTION INJURY AS A SIMPLE CUT! Injection can lead to amputation. See a physician immediately. Inform the physician of the type of coating material or cleaning agent with which the injury was caused.

NEVER aim the gun at any part of the body.

NEVER allow any part of the body to touch the fluid stream. DO NOT allow body to touch a leak in the fluid hose.

NEVER put hand in front of the gun. Gloves will not provide protection against an injection injury.

Never point the spray gun at anyone else.

ALWAYS lock the gun trigger, shut the pump off, and release all pressure before servicing, cleaning the tip or guard, changing tip, or leaving unattended. Pressure will not be released by turning off the motor. The PRIME/SPRAY valve must be turned to PRIME to relieve the pressure. Refer to the Pressure Relief Pressure described in the pump manual.

ALWAYS keep the tip guard in place while spraying. The tip guard provides some protection but is mainly a warning device.

ALWAYS remove the spray tip before flushing or cleaning the system.

The paint hose can develop leaks from wear, kinking and abuse. A leak can inject material into the skin. Inspect the hose before each use.

NEVER use a spray gun without a trigger lock and trigger guard in place and in good working order.

All accessories must be rated at or above the maximum operating pressure range of the airless sprayer. This includes spray tips, extensions, and hose.



HAZARD: Explosion hazard due to incompatible materials
Will cause severe injury or property damage.

- Do not use materials containing bleach or chlorine.
- Do not use halogenated hydrocarbon solvents such as bleach, mildewcide, methylene chloride and 1,1,1 - trichloroethane. They are not compatible with aluminum.
- Contact your coating material supplier about the compatibility of material with aluminum.



HAZARD: General

This product can cause severe injury or property damage.

1. Read all instructions and safety precautions before operating equipment.
2. Never spray near sources of ignition; e.g. open flames, cigarettes — also cigars and pipes are sources of ignition —, sparks, hot wires and hot surfaces, etc.
3. Wear respiratory equipment when spraying. The operator must be provided with a protective mask.
In order to prevent work related illness, the manufacturer's regulations for the materials, solvents, and cleaning agents used must be observed when preparing, working with and cleaning the unit. Protective clothing, gloves, eyewear, and, in certain cases, protective skin cream are necessary to protect the skin.
4. Follow the coating material and solvent manufacturer's warnings and instructions.
5. Extraction equipment should be installed by the user in accordance with local regulations.
6. The objects being sprayed must be earthed.
7. Before each use, check all hoses for cuts, leaks, abrasion or bulging of cover. Check for damage or movement of couplings. Immediately replace the hose if any of these conditions exist. Never repair a paint hose. Replace it with another grounded high-pressure hose.
8. Pulling the trigger causes a recoil force to the hand that is holding the spray gun.
The recoil force of the spray gun is particularly powerful when the tip has been removed and a high pressure has been set on the airless high-pressure pump. Therefore, when cleaning without tip set the pressure control valve to the lowest pressure.
9. Use only manufacturer authorized parts. User assumes all risks and liabilities when using parts that do not meet the minimum specifications and safety devices of the spray gun manufacturer.